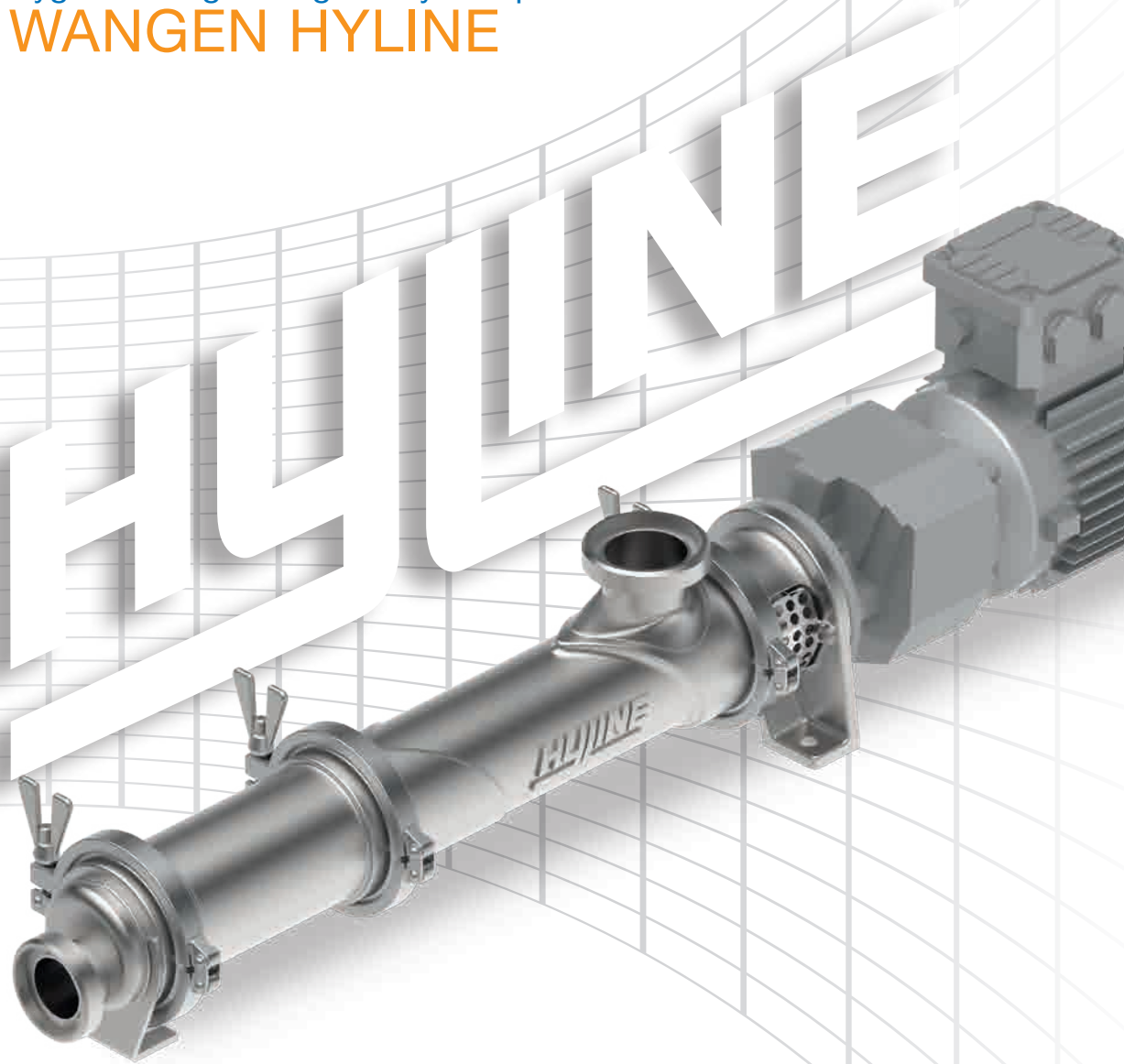




Hygienic Progressing Cavity Pump  
**WANGEN HYLINE**



For hygienic conveying and dosing in  
the food & beverage-, cosmetics- and  
pharmaceutical industry

WANGEN HYLINE

## Features and characteristics

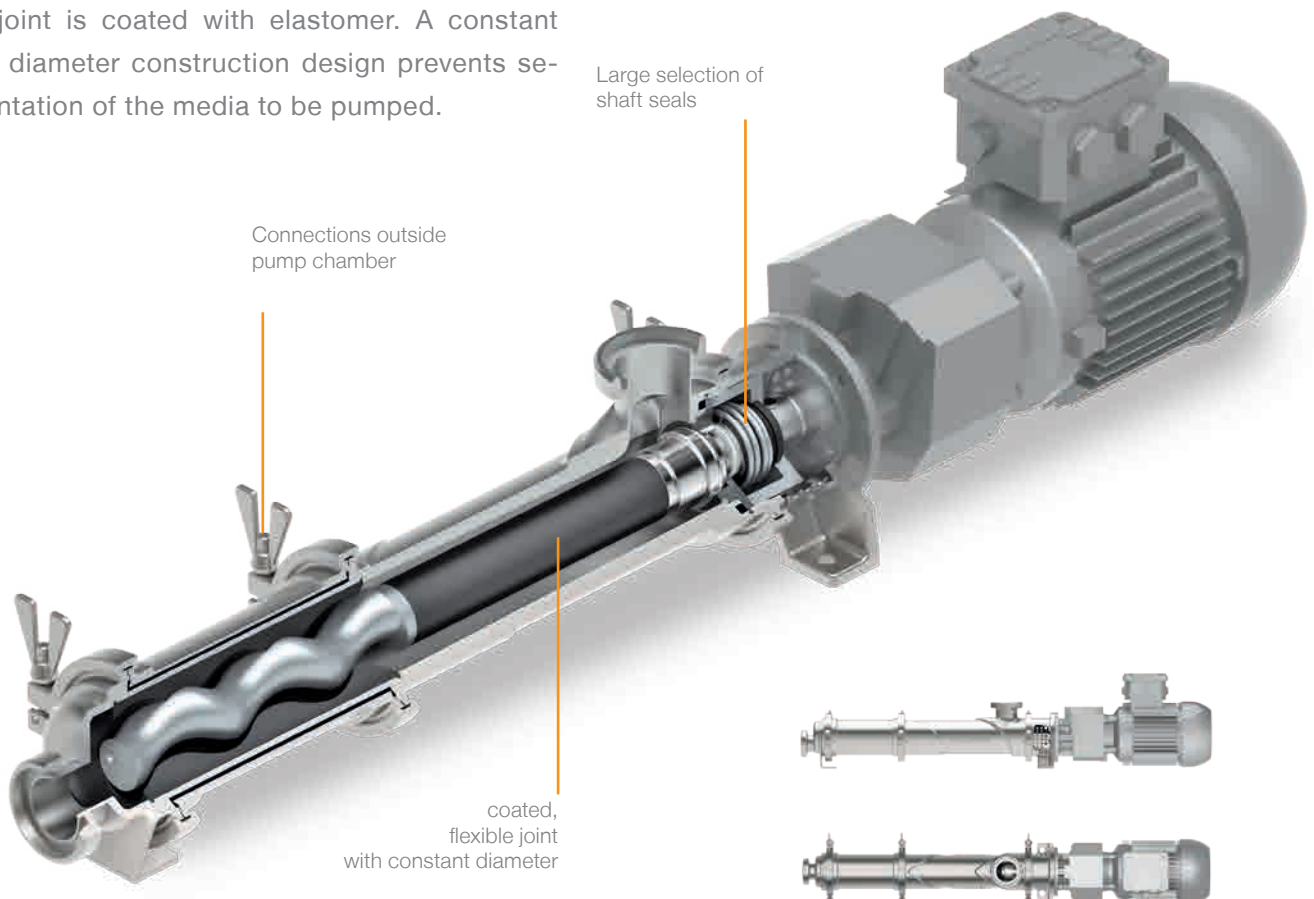
The WANGEN HYLINE is designed by WANGEN PUMPEN to ensure optimal performance and operational reliability.

The hygienic-related design of the WANGEN HYLINE was implemented according to the strict GMP (Good Manufacturing Practice) Directives, which are assuming an increasingly important role in the food, pharmaceutical and cosmetics sectors. For this purpose, as is usual with WANGEN PUMPEN, special value is placed on quality - and this means on lifetime duration.

Hygienic Highlight: The flexible and maintenance-free joint is coated with elastomer. A constant shaft diameter construction design prevents sedimentation of the media to be pumped.

In order to enable the conveyance of a wide spectrum of media, a large selection of single-acting and double-acting shaft seals are available for the HYLINE, such as the encapsulated seals, single acting seal with elastomer bellows or gland packing.

The intelligent design of this hygienic pump requires no additional seals in the product chamber. Pump disassembly is easily carried out by removing all pump component connections outside the product chamber.



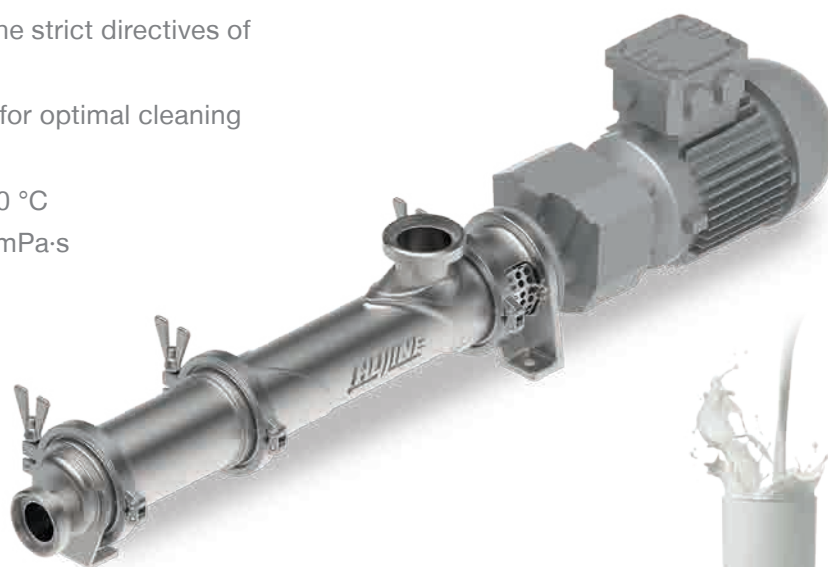
## Technical data and properties

# Performance data WANGEN HYLINE

Pump size	Maximum completely free passage (mm)	Flowrate (m <sup>3</sup> /h)	Maximum differential pressure (bar)
20	26	0,02 up to 7	20

### Characteristics:

- Designed according to the strict directives of EHEDG, 3A and GMP
- Low dead space design for optimal cleaning capability
- Temperature -30 °C - 140 °C
- Viscosity up to 100.000 mPa·s



### Conveying media:

- Dairy products, such as butter, margarine, milk, yoghurt, processed cheese
- Drinks, such as fruit juice, beer
- Confectionery, such as chocolate, liquid sugar, marzipan, waffle mass, fondant mass or glazes
- Mustard, ketchup, mayonnaise, soy sauce or tomato pureé
- Pastes
- Honey, caramel or gelatine
- Ice cream, jam
- Pet food
- Cosmetics, such as shampoo, face cream or soap
- Pharmaceutical products





**Online Newsletter**

Subscribe now and be informed!

Go to [www.wangen.com](http://www.wangen.com)



**Tested quality**

WANGEN PUMPEN Quality management is certified to ISO 9001:2008



**Certified sustainability**

The WANGEN PUMPEN environmental management is certified according to ISO 14001:2004.



Your contact:

**Pumpenfabrik Wangen GmbH**

Simoniusstrasse 17  
88239 Wangen im Allgäu  
Germany  
[www.wangen.com](http://www.wangen.com)

Service Hotline: +49 7522 997-997

Spare parts: +49 7522 997-896